

# **Hand-Tools, Texturing, Benches, and Fasteners Product Catalog**



**Westpac Materials**

341 West Meats Avenue

Orange, CA 92865

Phone: (714) 974-6837

Toll-Free Phone: (866) 974-6837

Fax: (714) 637-9033

Toll-Free Fax: (866) 637-9033

**[www.westpacmaterials.com](http://www.westpacmaterials.com)**



# Westpac Materials



## Hammers & Handles, Roll Lifters, Saws, and Rasps

### Hammers & Handles

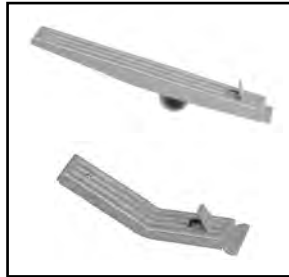
- The ORIGINAL Drywall Hammer
- Forged, heat treated, steel handle
- Convex, serrated face designed to set nail in a perfect "dimple"



Prod#	Stock#	Desc	Pcs/Ctn	Unit	Wt/Ctn
72100	02-001	WH-12 Hammer 12oz.	6	CTN	9
72105	02-002	WH-12X Hammer 12oz.	6	CTN	9.6
72110	02-003	WH-17 Hammer 16oz.	6	CTN	10.8
72115	02-005	WH-H 14" Handle w/Wedge	1	CTN	3
72120	02-008	WH-21 Hatchet 22.5oz.	6	CTN	10.8

### RL-42 Roll Lifters

- The ORIGINAL Roll Lifter
- All steel heavy-duty construction
- Durable powder coat finish



Prod#	Stock#	Desc	Pcs/Ctn	Unit	Wt/Ctn
72125	03-001	RL-42 Roll Lifter	2	CTN	6.6
72130	03-003	ML-45 Mini-Lifter	2	CTN	3

### ML-45 Roll Lifters

- Compact & lightweight design
- All steel heavy-duty construction with vertical toe kick
- Durable powder coat finish

### Saws

- The ORIGINAL Drywall Saw
- 6" (152mm) heavy duty steel blade with chisel point to penetrate wallboard
- Special tooth design for long life



Prod#	Stock#	Desc	Pcs/Ctn	Unit	Wt/Ctn
72135	04-001	US-71 Utility Saw 6"	6	CTN	1.3
72140	06-005	SH-15 Saw 15"	6	CTN	8

### Rasps

- Efficient design to smooth rough-cut edges of drywall
- No-Load slot prevents clogging and is self-cleaning
- Comfortable wood handle



Prod#	Stock#	Desc	Pcs/Ctn	Unit	Wt/Ctn
72145	07-001	WR-57 Rasp	6	CTN	3

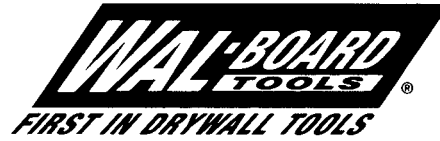
Hand-Tools, Texturing,  
Benches, and Fasteners

### SALES/ORDER INFORMATION

P: (714) 974-6837 • P: (866) 974-6837 • F: (714) 637-9033 • F: (866) 637-9033  
341 West Meats Avenue • Orange, California 92865 • [www.westpacmaterials.com](http://www.westpacmaterials.com)



# Westpac Materials



## Tape Reel and Mixers

### Tape Reel

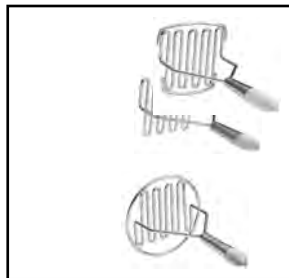
- All steel construction
- Holds 500' (152m) roll of tape and has a handy belt clip
- Quick open design—no nuts or bolts
- Tape threads through lower slot for quick unrolling and tear-off



Prod#	Stock#	Desc	Pcs/Ctn	Unit	Wt/Ctn
72460	41-001	TR-25 Tape Reel	12	CTN	7.3

### MM Mixers

- All steel head construction, epoxy bonded to wood handle
- Comfortable wood handle with metal ferrule



Prod#	Stock#	Desc	Pcs/Ctn	Unit	Wt/Ctn
72462	42-002	MM-34 Semi-Round 37"	6	CTN	11
72465	42-003	MM-35 Round Head 25"	6	CTN	12.3
72470	42-004	MM-37 Square Head 37"	6	CTN	11
72475	43-002	QM-30 Quick Mixer 36"	6	CTN	12
72480	81-001	Power Mixer 2-5" Adjustable	2	CTN	4.3
72485	81-002	Power Mixer 3-5" Adjustable	2	CTN	5.3
72490	81-004	Power Mixer 2-2.5" Adjustable	6	CTN	3.3

### QM Mixers

- All steel construction
- Use with up to 1/2" (12.7mm) drill with a minimum 6 amp motor and maximum of 800RPM
- Properly designed blades fold and mix materials quickly



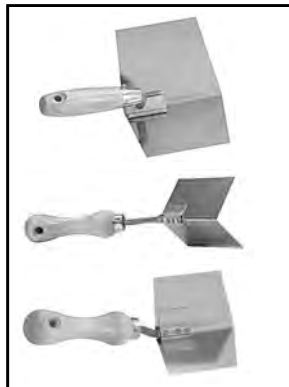
### Power Mixers

- Heavy plated steel shaft & wheels designed to fold material with no lumping

## Corner Tools

### Cornerbead Corner Tools

- Flexible, tempered stainless steel blades to finish OUTSIDE corners
- Designed to finish cornerbead around windows and doors
- Comfortable wood handle



Prod#	Stock#	Desc	Pcs/Ctn	Unit	Wt/Ctn
72520	82-001	CT-103 Inside Corner Tool	6	CTN	3.3
72525	82-002	OT-113 Outside Corner Tool	6	CTN	2.7
72530	88-014	WCT-123 Inside Corner Tool	6	CTN	2.7

Hand-Tools, Texturing, Benches, and Fasteners

### SALES/ORDER INFORMATION

P: (714) 974-6837 • P: (866) 974-6837 • F: (714) 637-9033 • F: (866) 637-9033  
 341 West Meats Avenue • Orange, California 92865 • [www.westpacmaterials.com](http://www.westpacmaterials.com)



# Westpac Materials



## Circle Cutters, T-Squares, Cutting Knives and Blades

### Circle Cutters

- The ORIGINAL Circle Cutter
- Adjustable screw-knob allows precise cut
- Sharp center point



Prod#	Stock#	Desc	Pcs/Ctn	Unit	Wt/Ctn
72150	08-001	AC-31 Circle Cutter	6	CTN	3

### T-Squares

- The ORIGINAL Drywall T-Square
- Heat treated aluminum construction
- Cross-head is Angled for added strength



Prod#	Stock#	Desc	Pcs/Ctn	Unit	Wt/Ctn
72155	09-001	TS-31 T-Square, 3/16"	6	CTN	19
72160	88-016	WTS-54 T-Square, 1/8"	6	CTN	18

### Utility Cutting Knives and Blades

- Die-cast aluminum construction
- Specifically designed to prevent blade "pull-out" or "fold-back"
- Heavy-duty, professional quality knife blades (.025") thickness



Prod#	Stock#	Desc	Pcs/Ctn	Unit	Wt/Ctn
72170	15-005	700-C Knife Blades	100	CTN	1
72165	15-001	K-799 Utility Knife	12	CTN	3.6

Hand-Tools, Texturing, Benches, and Fasteners

### SALES/ORDER INFORMATION

P: (714) 974-6837 • P: (866) 974-6837 • F: (714) 637-9033 • F: (866) 637-9033  
 341 West Meats Avenue • Orange, California 92865 • [www.westpacmaterials.com](http://www.westpacmaterials.com)



# Westpac Materials



## Taping Knives

### Tuff-Grip® Blue Steel Blade

- Tuff-Grip® handle combines superior grip qualities to prevent slippage during use along with the ultimate in comfort
- Aluminum blade molding
- Highest quality "1095" blue spring steel blades



Prod#	Stock#	Desc	Pcs/Ctn	Unit	Wt/Ctn
72190	18-028	TG-08 Tuff-Grip 8"	6	CTN	3.4
72195	18-030	TG-10 Tuff-Grip 10"	6	CTN	3.7
72200	18-032	TG-12 Tuff-Grip 12"	6	CTN	4
72205	18-034	TG-14 Tuff-Grip 14"	6	CTN	4.2

### Tuff-Grip® Stainless Steel Blade

- Tuff-Grip® handle combines superior grip qualities to prevent slippage during use along with the ultimate in comfort
- Aluminum blade molding
- Stainless steel blades



Prod#	Stock#	Desc	Pcs/Ctn	Unit	Wt/Ctn
72210	18-058	TGS-08 Tuff-Grip 8"	6	CTN	3.4
72215	18-060	TGS-10 Tuff-Grip 10"	6	CTN	3.7
72220	18-062	TGS-12 Tuff-Grip 12"	6	CTN	4
72225	18-064	TGS-14 Tuff-Grip 14"	6	CTN	4.2

### Textured Handle Blue Steel Blade

- Gray foam molded handle with textured finish
- Aluminum blade mounting
- Professional quality, blue spring steel blades



Prod#	Stock#	Desc	Pcs/Ctn	Unit	Wt/Ctn
72290	21-018	TH-08 Textured Handle 8"	6	CTN	4.0
72295	21-020	TH-10 Textured Handle 10"	6	CTN	4.3
72300	21-022	TH-12 Textured Handle 12"	6	CTN	4.6
72305	21-024	TH-14 Textured Handle 14"	6	CTN	5

### Textured Handle Stainless Steel Blade

- Gray foam molded handle with textured finish
- Aluminum blade mounting
- Professional quality, blue spring steel blades



Prod#	Stock#	Desc	Pcs/Ctn	Unit	Wt/Ctn
72310	21-036	THS-06 Textured Handle 6"	6	CTN	3.6
72315	21-038	THS-08 Textured Handle 8"	6	CTN	4.0
72320	21-040	THS-10 Textured Handle 10"	6	CTN	4.3
72325	21-042	THS-12 Textured Handle 12"	6	CTN	4.6
72330	21-044	THS-14 Textured Handle 14"	6	CTN	5

Hand-Tools, Texturing,  
Benches, and Fasteners

### SALES/ORDER INFORMATION

P: (714) 974-6837 • P: (866) 974-6837 • F: (714) 637-9033 • F: (866) 637-9033  
341 West Meats Avenue • Orange, California 92865 • [www.westpacmaterials.com](http://www.westpacmaterials.com)



# Westpac Materials



## Taping Knives

### Hammer-End Knives

- High Carbon steel blades uniformly tapered for proper flex
- High impact, molded plastic handle with brass nailing head to set protruding drywall nails



Prod#	Stock#	Desc	Pcs/Ctn	Unit	Wt/Ctn
72350	22-004	HK-4 Hammer-End 4"	10	CTN	2.8
72355	22-005	HK-5 Hammer-End 5"	10	CTN	3.0
72360	22-006	HK-6 Hammer-End 6"	10	CTN	3.2

### JK Taping Knives

- Original Wal-Board® design featuring smooth, ridgeless blade mounting of lightweight aluminum
- Professional quality, blue spring steel blade
- Replaceable contoured hardwood handle



Prod#	Stock#	Desc	Pcs/Ctn	Unit	Wt/Ctn
72175	18-002	JK-08 Blue Steel Blade 8"	6	CTN	4.5
72180	18-003	JK-10 Blue Steel Blade 10"	6	CTN	5
72185	18-004	JK-12 Blue Steel Blade 12"	6	CTN	6

### Blue Steel Blade with 18" Handle

- ORIGINAL Wal-Board™ design featuring smooth, RIDGELESS blade mounting of light weight aluminum
- Professional quality, blue spring steel blade



Prod#	Stock#	Desc	Pcs/Ctn	Unit	Wt/Ctn
72270	21-006	JKL-18 18" Handle	4	CTN	7
72280	21-008	JKL-24 24" Handle	4	CTN	8

### Knock-Down Knives

- Professional quality, blue spring steel blade is spot welded to steel backing
- 1/2" (12.7mm) off-set catches excess mud and provides better handle clearance
- 18" (457mm) straight hardwood handle



Prod#	Stock#	Desc	Pcs/Ctn	Unit	Wt/Ctn
72380	33-002	DKL-18 Off-set 18"	4	CTN	7.0
72385	33-004	DKL-20 Off-set 20"	4	CTN	7.4
72390	33-007	CB-1818 Curved Blade 18"	2	CTN	3.6
72395	33-008	CB-2418 Curved Blade 24"	2	CTN	4.1
72400	33-024	LW-24 Knockdown Knife 24"	6	CTN	6.0

Hand-Tools, Texturing, Benches, and Fasteners

### SALES/ORDER INFORMATION

P: (714) 974-6837 • P: (866) 974-6837 • F: (714) 637-9033 • F: (866) 637-9033  
 341 West Meats Avenue • Orange, California 92865 • [www.westpacmaterials.com](http://www.westpacmaterials.com)



# Westpac Materials



## Soft Grip

### Hammer-End Knives

- Water repellent grip
- Ergonomic for better grip
- Better blue steel



Prod#	Stock#	Desc	Pcs/Ctn	Unit	Wt/Ctn
72365	22-034	Soft Handle Hammer-End 4"	24	CTN	2.8
72370	22-036	Soft Handle Hammer-End 6"	24	CTN	3.2

### Taping Knives

- Water repellent grip
- Ergonomic for better grip
- Better blue steel



Prod#	Stock#	Desc	Pcs/Ctn	Unit	Wt/Ctn
72230	19-038	Soft Handle, Blue Steel 8"	12	CTN	3.4
72235	19-040	Soft Handle, Blue Steel 10"	12	CTN	3.7
72240	19-042	Soft Handle, Blue Steel 12"	12	CTN	4.0

### Corner Tools Soft Grip

- Water repellent grip
- Ergonomic for better grip
- Better blue steel
- 100% stainless
- Designed to finish cornerbead around windows and doors



Prod#	Stock#	Desc	Pcs/Ctn	Unit	Wt/Ctn
72505	82-030	Large Inside Corner Tool, Soft Grip	6	CTN	3.3
72510	82-032	Inside Corner Tool, Soft Grip	6	CTN	2.7
72515	82-034	Outside Corner Tool, Soft Grip	6	CTN	2.7

### Saw

- Water repellent grip
- Ergonomic for better grip
- Better blue steel
- Special tooth design for long life



Prod#	Stock#	Desc	Pcs/Ctn	Unit	Wt/Ctn
72132	04-030	Soft Handle Utility Saw 6"	6	CTN	1.5

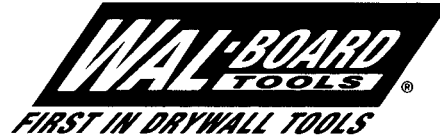
Hand-Tools, Texturing, Benches, and Fasteners

### SALES/ORDER INFORMATION

P: (714) 974-6837 • P: (866) 974-6837 • F: (714) 637-9033 • F: (866) 637-9033  
 341 West Meats Avenue • Orange, California 92865 • [www.westpacmaterials.com](http://www.westpacmaterials.com)



# Westpac Materials



## Knives and Mud Pans

### Broad Knives

- Professional quality, blue spring steel blades with shims attached to 14" (356mm) anodized aluminum tube handle
- Rubber handle cap for easy hanging



Prod#	Stock#	Desc	Pcs/Ctn	Unit	Wt/Ctn
72405	59-001	WK-77 Broad Knife 7"	6	CTN	3.5
72410	59-002	WK-97 Broad Knife 9"	6	CTN	3.3

### Mud Pans

- Heavy-gauge, stainless steel with HELO-ARC welded corners
- Professional quality, water-tight construction
- Tapered ends and sides



Prod#	Stock#	Desc	Pcs/Ctn	Unit	Wt/Ctn
72425	24-002	SP-12 Mud Pan 12"	6	CTN	7.8
72430	24-003	SP-14 Mud Pan 14"	6	CTN	9.0
72435	24-004	SP-18 Mud Pan 18"	6	CTN	11

## Hand Sanders and Pole Sanders

### Sanders

- Professional quality, tempered aluminum base plate 3-1/4" x 9-1/2" (83 x 235mm)
- Wood handle with plenty of knuckle room
- Sponge rubber sandpaper pad



Prod#	Stock#	Desc	Pcs/Ctn	Unit	Wt/Ctn
72440	34-002	HS-66 Hand Sander	6	CTN	6.0
72445	35-001	AS-22 Pole Sander	12	CTN	27

### Pole Sander Adapter Pole Sander

- All steel universal swivel joint
- Professional quality, die cast aluminum base plate 3-1/4" x 9-1/2" (83 x 235mm)
- Sponge rubber sandpaper pad



Prod#	Stock#	Desc	Pcs/Ctn	Unit	Wt/Ctn
72450	35-009	Pole Sander Adapter	1	CTN	.07
72455	35-015	Professional Pole Sander	12	CTN	27

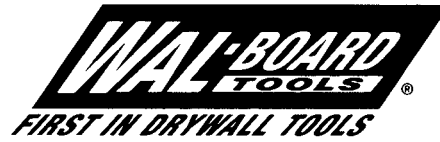
Hand-Tools, Texturing, Benches, and Fasteners

### SALES/ORDER INFORMATION

P: (714) 974-6837 • P: (866) 974-6837 • F: (714) 637-9033 • F: (866) 637-9033  
 341 West Meats Avenue • Orange, California 92865 • [www.westpacmaterials.com](http://www.westpacmaterials.com)



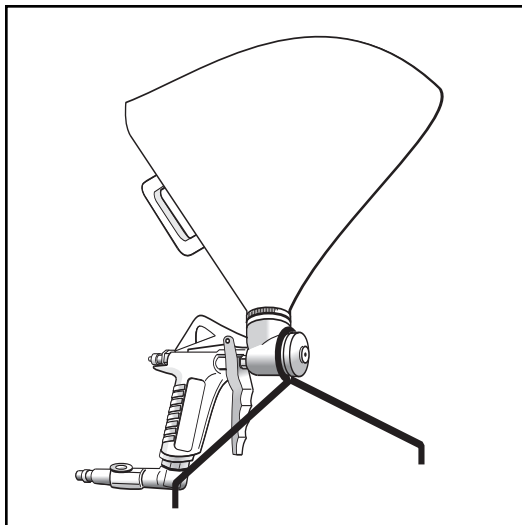
# Westpac Materials



## Spraying Mantis® Hopper Gun and Parts

### Spraying Mantis Hopper Gun and Parts

- Aluminum one-piece body
- Includes air regulator valve
- Operates on any compressor with minimum 7 cfm at 25 psi



Prod#	Stock#	Desc	Pcs/Ea	Unit	Wt/Unit
70210	55-050	Spraying Mantis Hopper Gun	1	EA	7
70215	55-057	Repair Kit	1	EA	1
70220	55-058	Deluxe Repair Kit	1	EA	2
70225	55-059	Adjustable Stop Assembly	1	EA	1
70230	55-060	Material Orifice Set	1	EA	0.40
70235	55-066	Air Stem Bushing w/O-Ring	1	EA	0.25
70240	55-070	Air Stem w/(2) O-Rings	1	EA	0.25
70245	55-072	Threaded Body	1	EA	0.30
70250	55-077	Trigger w/(2) E-Clips	1	EA	0.05
70255	55-081	Large O-Ring	1	EA	0.20
70260	55-086	Air Shut-Off Valve	1	EA	0.40
70265	55-087	Air Hose Fitting Assembly	1	EA	0.50
70270	55-090	Hopper Only	1	EA	3
70275	55-091	Flexible Connector w/Clamps	1	EA	0.40
70280	55-092	Bi-Pod Stand	1	EA	0.80
70285	55-093	Mantis—Gun Only	1	EA	5

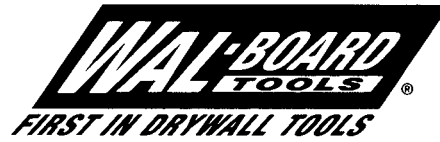
Hand-Tools, Texturing, Benches, and Fasteners

### SALES/ORDER INFORMATION

P: (714) 974-6837 • P: (866) 974-6837 • F: (714) 637-9033 • F: (866) 637-9033  
 341 West Meats Avenue • Orange, California 92865 • [www.westpacmaterials.com](http://www.westpacmaterials.com)



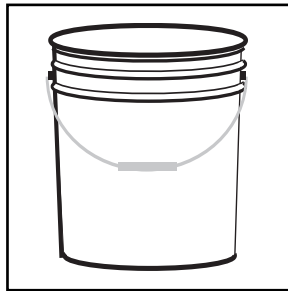
# Westpac Materials



## Mixing Buckets & Bucket Scoop

### Mixing Bucket 5 Gallon

- 5 Gallon Bucket with Handle
- Durable Plastic



Prod#	Description	Wt/Unit	Plt/Qty
74040	5 GAL Mixing Bucket	1	120

### Tuff-Grip® Bucket Scoop

- Scoops mud, mortar, stucco & other materials
- Blade shape matches pail for complete cleanout
- Tuff-Grip® non-slip handle
- Heavy duty stainless steel blade



Prod#	Description	Pcs/Ctn	Unit	Wt/Ctn
72500	Tuff-Grip® Bucket Scoop	6	CTN	3

Hand-Tools, Texturing,  
Benches, and Fasteners

## Benches and Bench Parts

### Benches and Bench Parts

- High strength aluminum alloy construction
- Legs adjust separately every 2" by squeezing wishbone spring and releasing at desired height
- Replaceable rubber feet
- Steel parts are zinc plated for long life



Prod#	Stock#	Desc	Pcs/Ea	Unit	Wt/Unit
72620	31-016	W-1832 Aluminum Bench	1	EA	33
72625	31-017	L-3444 Extension Legs	1	EA	12
72630	32-066	Permanent Leg Assembly	1	EA	5
72635	32-067	Adjustable Leg Assembly	1	EA	2
72640	32-070	Assembled Foot	1	EA	1
72645	32-073	Rubber Foot	1	EA	1
72650	32-080	Step Assembly	1	EA	4
72655	32-096	Wishbone Spring Assy.	1	EA	1
72660	32-098	Locking Brace Assembly	1	EA	2

### SALES/ORDER INFORMATION

P: (714) 974-6837 • P: (866) 974-6837 • F: (714) 637-9033 • F: (866) 637-9033  
341 West Meats Avenue • Orange, California 92865 • [www.westpacmaterials.com](http://www.westpacmaterials.com)



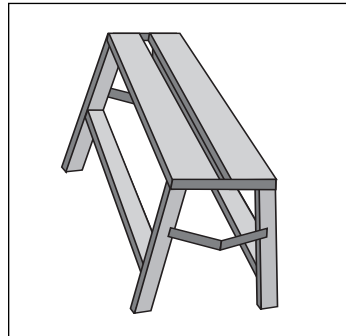
# Westpac Materials



## TRIGGER Benches and Platforms

### Aluminum Bench

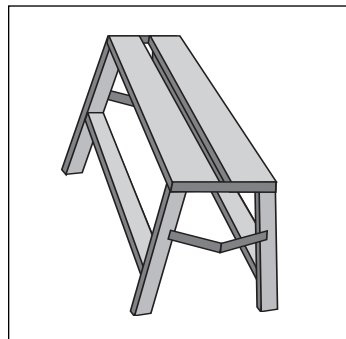
- Heavy-duty aluminum
- Solid rivet construction
- Non-slip foot pads
- Heavy-duty aluminum spreader hinges



Prod #	Size	Qty/Unit	Unit	Wt/Unit
71135	30"L x 24" H	1	EA	10
71140	30"L x 30" H	1	EA	12
71145	30"L x 36" H	1	EA	15
71150	30"L x 48" H	1	EA	20
71152	30"L x 60" H	1	EA	25
71153	30"L x 72" H	1	EA	30

### Fat Top

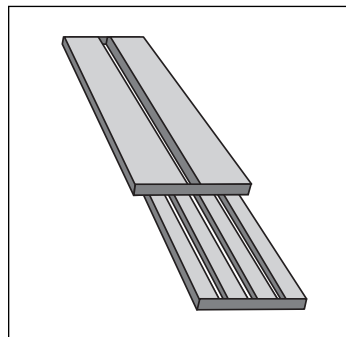
- 9-1/2" Top Step
- Meets all OSHA requirements for under 4'
- Heavy-duty bolted hinge and spreader
- 3" Step
- Heavy-duty 1A 300lb. Rating



Prod #	Size	Qty/Unit	Unit	Wt/Unit
71180	30"L x 24" H	1	EA	12
71185	30"L x 30" H	1	EA	14
71190	30"L x 36" H	1	EA	17
71195	30"L x 48" H	1	EA	24

### Extendible Plank

- Heavy-duty aluminum
- Solid rivet construction
- 4 sizes, expands from 6' to 9', 7' to 11', 8' to 13' and 10' to 16'



Prod #	Size	Qty/Unit	Unit	Wt/Unit
71155	6' - 9'	1	EA	36
71160	7' - 11'	1	EA	42
71165	8' - 13'	1	EA	48
71167	10' - 16'	1	EA	55

Hand-Tools, Texturing, Benches, and Fasteners

#### SALES/ORDER INFORMATION

P: (714) 974-6837 • P: (866) 974-6837 • F: (714) 637-9033 • F: (866) 637-9033  
 341 West Meats Avenue • Orange, California 92865 • [www.westpacmaterials.com](http://www.westpacmaterials.com)



# Westpac Materials



## Aerosol Spray Texture

### HOMAX Ultra-Fast Drying Orange Peel

- Oil-based formula
- Patches orange peel & splatter textures
- Ultra-fast drying
- Covers up to 110 sq. ft.



Prod #	Model #	Size	Cans/Box	Unit	Wt/Bx
72050	4055-06	20 oz.	6	Bx	9.9

### HOMAX Knockdown

- Water-based, low-odor formula
- Sprays multiple patterns
- For patching Southwest or Mediterranean style textures
- Covers up to 60 sq. ft.



Prod #	Model #	Size	Cans/Box	Unit	Wt/Bx
72055	4065-06	20 oz.	6	Bx	10.5

### HOMAX Color-Changing Orange Peel

- Water-based
- For repairing and patching interior heavy splatter or knockdown drywall textures
- Water clean-up
- Covers up to 90 sq. ft.



Prod #	Model #	Size	Cans/Box	Unit	Wt/Bx
72060	4096-06	16 oz.	6	Bx	9.8

*\*Changes color, blue to white.*

### HOMAX Water-Based Orange Peel

- Water-based
- Water cleanup, low odor, fast drying
- Patches orange peel and splatter textures
- Covers up to 110 sq. ft.



Prod #	Model #	Size	Cans/Box	Unit	Wt/Bx
72070	4092-06	20 oz.	6	Bx	10.5

Hand-Tools, Texturing,  
Benches, and Fasteners

#### SALES/ORDER INFORMATION

P: (714) 974-6837 • P: (866) 974-6837 • F: (714) 637-9033 • F: (866) 637-9033  
341 West Meats Avenue • Orange, California 92865 • [www.westpacmaterials.com](http://www.westpacmaterials.com)



# Westpac Materials



## LACO Texture Guns

### TG 500 Hand Pump Texture Gun Polycarbonate Front

- Easy to apply
- Fully adjustable spray tips to match original Orange Peel, Knockdown and Acoustic Textures
- Completely disassembles for easy cleaning
- Big savings compared to spray cans
- 64 oz. jar



Prod#	Model#	Unit	Wt/Ea
70400	TG 500	EA	5

\* Call for replacement parts

### TG 850 Hand Pump Texture Gun Solid Brass Construction

- Easy to apply
- Fully adjustable spray tips to match original Orange Peel, Knockdown and Acoustic Textures
- Completely disassembles for easy cleaning
- Big savings compared to spray cans
- 64 oz. jar



Prod#	Model#	Unit	Wt/Ea
70300	TG850	EA	6

\* Call for replacement parts

## EZ-Pro Texture Gun

### EZ-Pro Texture Gun & Ready Mix Texture

- Saves time & reduces mess
- Texture already pre-mixed in a bag
- Eliminates time-consuming mixing
- The texture pattern is excellent



Prod #	Desc	Pcs/Ctn	Unit	Wt/Ctn
70600	Texture Gun	10	CTN	10
70610	Texture 20 oz. Bag	30	CTN	40



Hand-Tools, Texturing,  
Benches, and Fasteners

### SALES/ORDER INFORMATION

P: (714) 974-6837 • P: (866) 974-6837 • F: (714) 637-9033 • F: (866) 637-9033  
341 West Meats Avenue • Orange, California 92865 • [www.westpacmaterials.com](http://www.westpacmaterials.com)



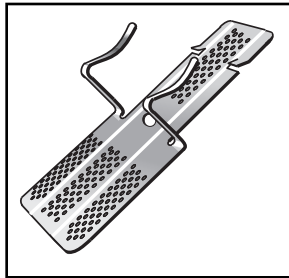
# Westpac Materials

# Prest-on®

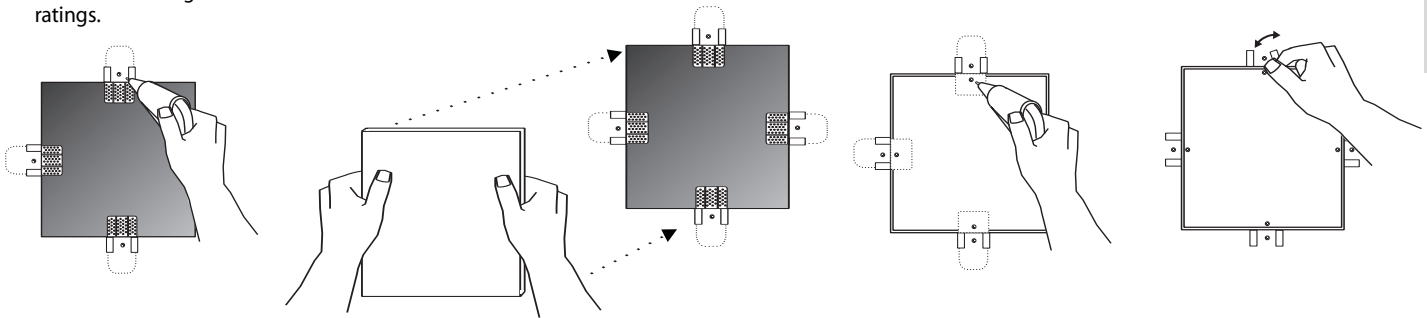
## Drywall Fasteners

### Insta-back Fastener

Insta-back fasteners make drywall repair quick and easy because cutouts can be reattached without cutting drywall back to the nearest stud (as shown in the illustrations below). Insta-backs make finished butt joints that are "bump free", and save time and money by reducing the number of joints to be finished. Meets all building codes and fire ratings.



Prod#	Desc	Pcs/Ctn	Ctn/Pallet	Unit	Wt/Ctn
71010	1/2"	200	50	CTN	10
71020	5/8"	200	50	CTN	10



**1.** Place fasteners as shown and secure with drywall screws 3/4" from the edge.

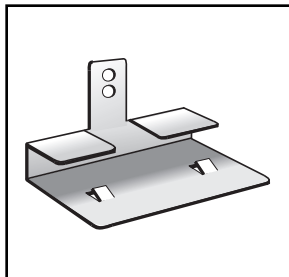
**2.** Replace drywall patch in hole.

**3.** Screw through patch into Insta-back fasteners 3/4" from the edge.

**4.** Bend Insta-back tabs back and forth until they snap off.

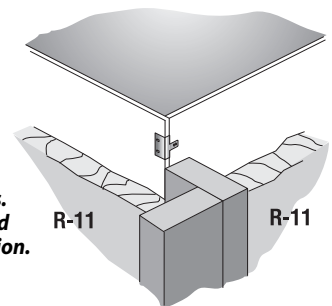
### Corner-back Fastener

Corner-back fasteners save you time, money and materials by allowing you to eliminate one stud at almost every corner. By eliminating the need for corner back-up studs, Corner-backs permit corners to be fully insulated (as shown in the illustration at right). This means a significant reduction in thermal loss. Corner-backs also reduce costly callbacks due to ceiling/partition separation from truss uplift. Meets all building codes and fire ratings.



Prod#	Desc	Pcs/Ctn	Ctn/Pallet	Unit	Wt/Ctn
71030	1/2"	300	50	CTN	10
71040	5/8"	300	50	CTN	10

Corner-backs eliminate wood backup at corners and ceilings. The result is faster framing and faster, easier drywall installation.



Hand-Tools, Texturing, Benches, and Fasteners

### SALES/ORDER INFORMATION

P: (714) 974-6837 • P: (866) 974-6837 • F: (714) 637-9033 • F: (866) 637-9033  
341 West Meats Avenue • Orange, California 92865 • [www.westpacmaterials.com](http://www.westpacmaterials.com)