

Aerosol Spray Texture

HOMAX Ultra-Fast Drying Orange Peel

- Oil-based formula
- Patches orange peel & splatter textures
- Ultra-fast drying
- Covers up to 110 sq. ft.



| Prod # | Model # | Size | Cans/Box | Unit | Wt/Bx |
|--------|---------|--------|----------|------|-------|
| 72050 | 4055-06 | 20 oz. | 6 | Bx | 10 |

HOMAX Knockdown

- Water-based, low-odor formula
- Sprays multiple patterns
- For patching Southwest or Mediterranean style textures
- Covers up to 60 sq. ft.



| Prod # | Model # | Size | Cans/Box | Unit | Wt/Bx |
|--------|---------|--------|----------|------|-------|
| 72055 | 4065-06 | 20 oz. | 6 | Bx | 10.5 |

HOMAX Color-Changing Orange Peel

- Water-based
- For repairing and patching interior heavy splatter or knockdown drywall textures
- Water clean-up
- Covers up to 90 sq. ft.



| Prod # | Model # | Size | Cans/Box | Unit | Wt/Bx |
|--------|---------|--------|----------|------|-------|
| 72060 | 4096-06 | 16 oz. | 6 | Bx | 10 |

**Changes color, blue to white.*

HOMAX Water-Based Orange Peel

- Water-based
- Water cleanup, low odor, fast drying
- Patches orange peel and splatter textures
- Covers up to 110 sq. ft.



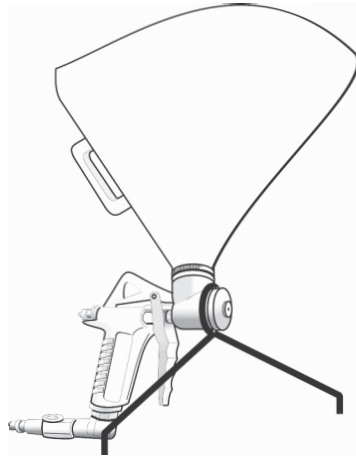
| Prod # | Model # | Size | Cans/Box | Unit | Wt/Bx |
|--------|---------|--------|----------|------|-------|
| 72070 | 4092-06 | 20 oz. | 6 | Bx | 10.5 |

Spraying Mantis® Hopper Gun and Parts



Spraying Mantis Hopper Gun and Parts

- Aluminum one-piece body
- Includes air regulator valve
- Operates on any compressor with minimum 7 cfm at 25 psi



| Prod# | Stock# | Desc | Pcs/Ea | Unit | Wt/Unit |
|-------|--------|-----------------------------|--------|------|---------|
| 70210 | 55-050 | Spraying Mantis Hopper Gun | 1 | EA | 7 |
| 70215 | 55-057 | Repair Kit | 1 | EA | 1 |
| 70220 | 55-058 | Deluxe Repair Kit | 1 | EA | 2 |
| 70230 | 55-060 | Material Orifice Set | 1 | EA | 0.40 |
| 70270 | 55-090 | Hopper Only | 1 | EA | 3 |
| 70275 | 55-091 | Flexible Connector w/Clamps | 1 | EA | 0.40 |
| 70280 | 55-092 | Bi-Pod Stand | 1 | EA | 0.80 |
| 70285 | 55-093 | Mantis—Gun Only | 1 | EA | 5 |

LACO Texture Guns



TG 600 Hand Pump Texture Gun Polycarbonate Front

- Easy to apply
- Fully adjustable spray tips to match original Orange Peel, Knockdown and Acoustic Textures
- Completely disassembles for easy cleaning
- Big savings compared to spray cans
- 64 oz. jar



| Prod# | Model# | Unit | Wt/Ea |
|-------|--------|------|-------|
| 70400 | TG 600 | EA | 5 |

* Call for replacement parts

TG 950 Hand Pump Texture Gun Solid Brass Construction

- Easy to apply
- Fully adjustable spray tips to match original Orange Peel, Knockdown and Acoustic Textures
- Completely disassembles for easy cleaning
- Big savings compared to spray cans
- 64 oz. jar



| Prod# | Model# | Unit | Wt/Ea |
|-------|--------|------|-------|
| 70300 | TG950 | EA | 6 |

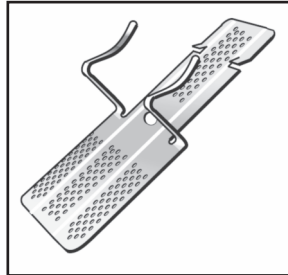
* Call for replacement parts

Drywall Fasteners

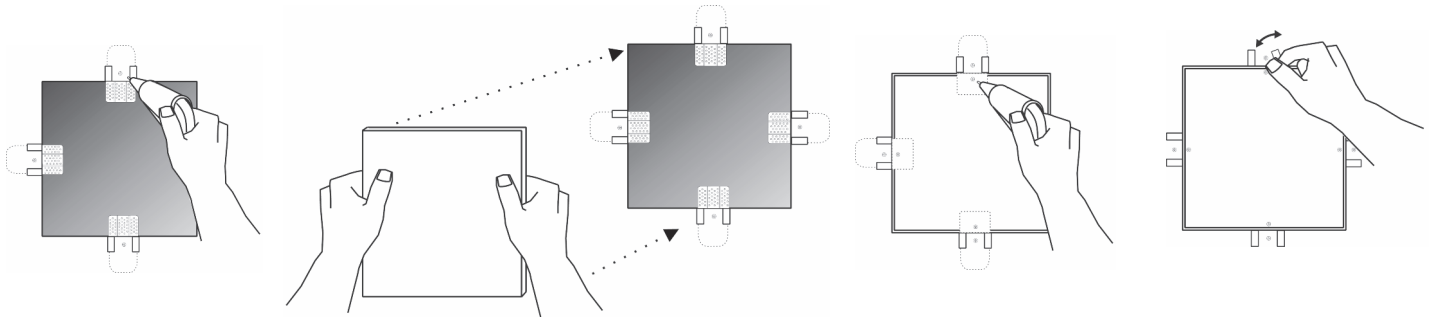
Prest-on®

Insta-back Fastener

Insta-back fasteners make drywall repair quick and easy because cutouts can be reattached without cutting drywall back to the nearest stud (as shown in the illustrations below). Insta-backs make finished butt joints that are "bump free", and save time and money by reducing the number of joints to be finished. Meets all building codes and fire ratings.



| Prod# | Desc | Pcs/Ctn | Ctn/Pallet | Unit | Wt/Ctn |
|-------|------|---------|------------|------|--------|
| 71010 | 1/2" | 200 | 50 | CTN | 10 |
| 71020 | 5/8" | 200 | 50 | CTN | 10 |



1. Place fasteners as shown and secure with drywall screws 3/4" from the edge.

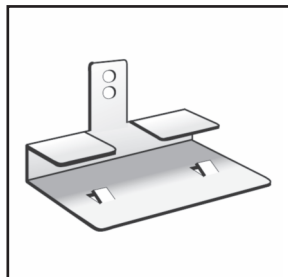
2. Replace drywall patch in hole.

3. Screw through patch into Insta-back fasteners 3/4" from the edge.

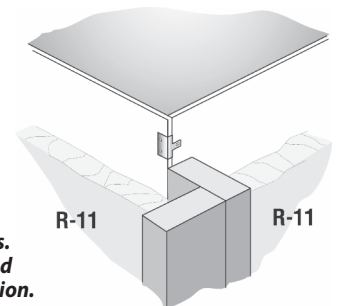
4. Bend Insta-back tabs back and forth until they snap off.

Corner-back Fastener

Corner-back fasteners save you time, money and materials by allowing you to eliminate one stud at almost every corner. By eliminating the need for corner back-up studs, Corner-backs permit corners to be fully insulated (as shown in the illustration at right). This means a significant reduction in thermal loss. Corner-backs also reduce costly callbacks due to ceiling/partition separation from truss uplift. Meets all building codes and fire ratings.



| Prod# | Desc | Pcs/Ctn | Ctn/Pallet | Unit | Wt/Ctn |
|-------|------|---------|------------|------|--------|
| 71030 | 1/2" | 300 | 50 | CTN | 10 |
| 71040 | 5/8" | 300 | 50 | CTN | 10 |



Corner-backs eliminate wood backup at corners and ceilings. The result is faster framing and faster, easier drywall installation.